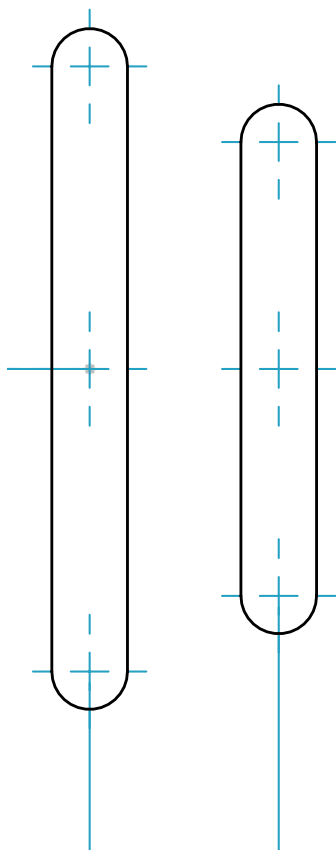
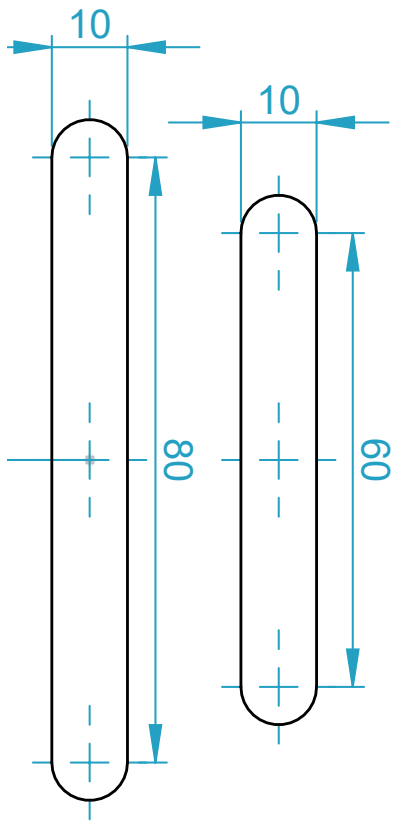
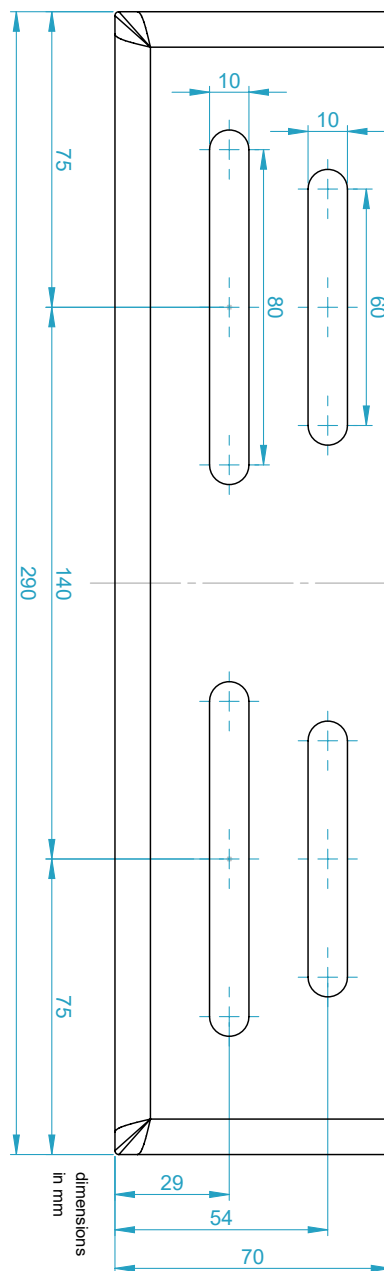




CHAIR MOUNT CENTER



Print in 100% for true size.



The plate attaches between the chair base and the seat.

Please check if the front attachment points of your chair base are compatible with the longholes.

Be aware that the chair will be raised 5mm with the Chair Mount Center plate installed.